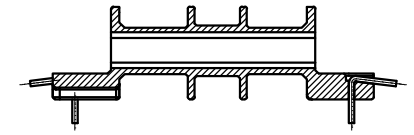
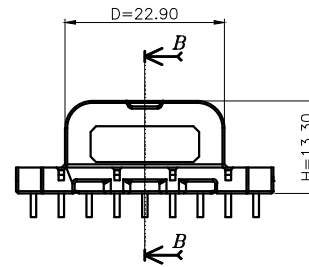
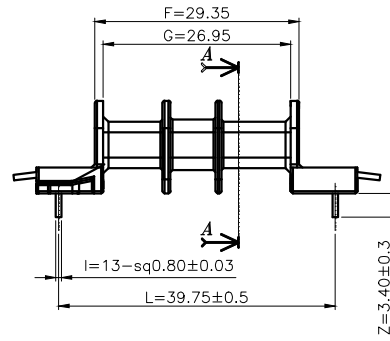
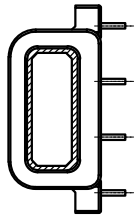


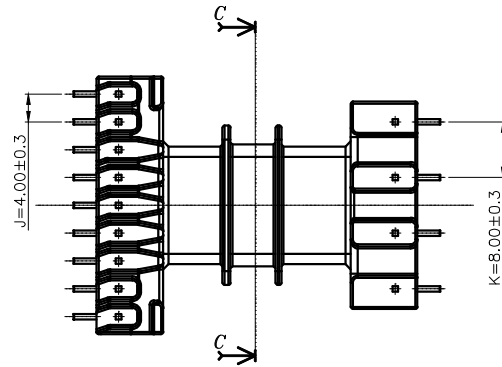
SECTION A-A



SECTION B-B



SECTION C-C



▲							
▲							
▲							
▲							
MARK	REVISION NOTE			DATE	DRAWN	CHECKED	APPROVED
DRAWN	CHECKED	APPROVED	MATERIAL: PHENOL	UL REC. : UL94V-0	THIRD ANGLE PROJ.	SCALE : 1/2	
IS, Kim	HY, Kim	JB, Kim		DATE : 2011.08.14	TOLERANCE : ±0.2 (Unless otherwise specified)	UNIT : m/m	
주식회사 대흥보빈 DAE HEUNG BOBBIN CO., LTD.			TITLE	EFD 35*40 "H" (13P) (A)		DWG NO DH-110928-8624-00	